

# D7613ZMC D7613ZMR

## Paperless Double-Sided Desktop Chairman/Delegate Speaking and Voting Terminal



**D7613ZMC Paperless Double-Sided Desktop Chairman Speaking and Voting Terminal**



**D7613ZMR Paperless Double-Sided Desktop Delegate Speaking and Voting Terminal**

### Description

It is a conference speaking unit integrating functions such as speaking, voting and electronic desktop nameplate. It adopts electret cardioid directional condenser pickup with two-color indicator ring, and holds a 3.5mm stereo headphone jack to connect headphones. The main screen adopts a 13.3" capacitive touch screen; the sub screen adopts 6.86" TFT LCD screen, which can be set by the PC control software of the conference system. Besides, it is provided with 1 microphone on/off button and 5 voting buttons. The chairman unit enjoys one more chairman priority button.

### Features

- A conference speaking unit integrating functions such as speaking, voting and electronic desktop nameplate.
- Electret cardioid directional condenser pickup with two-color indicator ring (red/green). It is red when speaking and green when applying for speaking.
- The microphone rod can be dismantled in the absence of a meeting for easy maintenance and

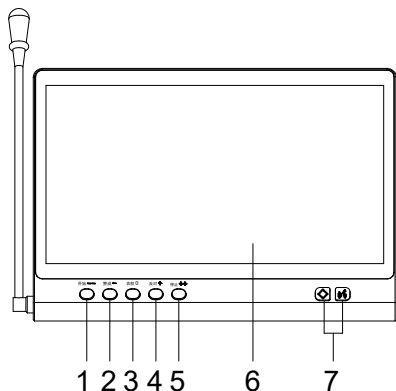
preservation.

- With a 3.5mm stereo headphone jack to connect headphones, with adjustable headphone volume.
- With super strong anti-interference capability against mobile phones.
- With 1 microphone on/off button and 5 voting buttons. The chairman unit enjoys one more chairman priority button.
- The sign-in function can be accessed with one button.
- Each conference unit holds a unique ID number.
- The main screen adopts a 13.3" capacitive touch screen. Please refer to the paperless conference system service software for the displayed content. The sub screen adopts 6.86" TFT LCD screen, which can be set by the PC control software of the conference system.
- Combined with a camera, it can realize automatic camera tracking after set by the digital conference system host or PC control software.
- Used in conjunction with the control host, the unit can realize the self-test function. The items to be tested include buttons, microphone and LED indicator.
- The unit is a passive device powered by the system host or PoE switch with the input voltage of +48V.
- Through the host settings, the chairman unit will be endowed with a priority function (to mute or turn off all delegate units) and a podium mode (the chairman unit is always on).
- The chairman unit has the authority to approve the application for speaking from the delegate unit.
- The chairman unit can be turned on freely without being restricted by the number of speaking units.
- The chairman unit has the priority function of having full control over the order of the conference.
- There is no restriction on the location of the chairman unit when connected to the system.

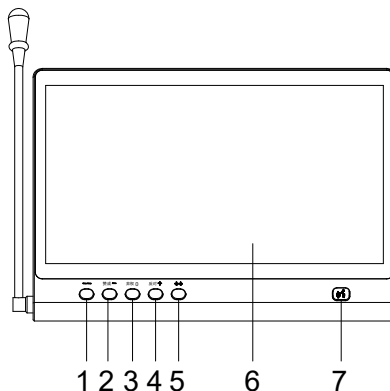
## Specifications

| Model                      |                    | D7613ZMC/D7613ZMR  |
|----------------------------|--------------------|--|
| Structure Type             |                    | Desktop  |
| Output Frequency Response  |                    | 80Hz-15KHz ( $\pm 3$ dB)   |
| Static Power Consumption   |                    | <6W  |
| Maximum Power Consumption  |                    | 14W  |
| S/N Ratio                  |                    | >70dB  |
| Crosstalk Attenuation      |                    | >75dB  |
| Harmonic Distortion        |                    | <0.5%  |
| Headphone Output           |                    | 9dBu, 8-32 $\Omega$ , 3.5mm                                      |
| Working Power              |                    | Powered by the host or PoE switch with the input voltage of +48V |
| Unit Interface             |                    | Network interface (CAT5 network cable)                           |
| Microphone                 | Microphone Type    | Electret cardioid condenser                                      |
|                            | Frequency Response | 80Hz-15KHz ( $\pm 3$ dB)   |
|                            | Sensitivity        | -45dBV/pa  |
|                            | Input Impedance    | 2k $\Omega$  |
|                            | Equivalent Noise   | 20dB(SPL)  |
|                            | MAX. SPL.          | 125dB(THD< 3%)   |
| Package Dimensions         |                    | 380×280×220mm  |
| Machine Dimensions (W×D×H) |                    | 335×150×270mm  |
| Gross Weight               |                    | 4.3kg  |
| Net Weight                 |                    | 2.8kg  |

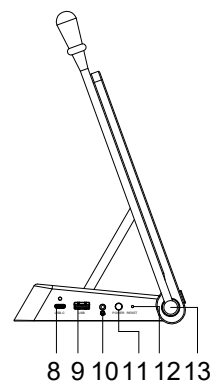
## Buttons and Indication Functions



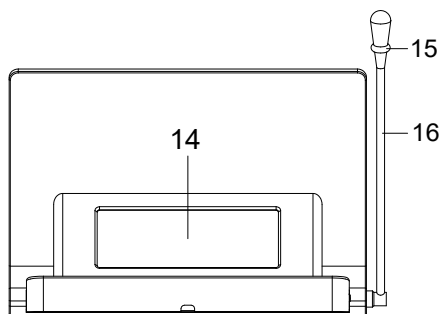
Front View of Chairman Terminal



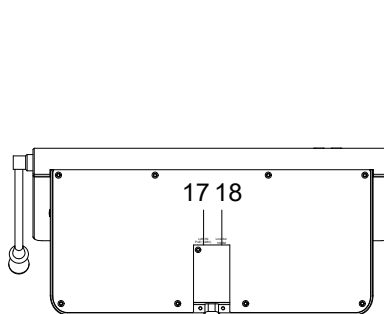
Front View of Delegate Terminal



Left View of Chairman/Delegate Terminal



Rear View of Chairman/Delegate Terminal



Bottom View of Chairman/Delegate Terminal

### 1. “—” Button

- For the chairman unit, it is used to initiate a voting; for the delegate unit, it has no function.
- It can work with the PC control software for rating operations. Please refer to the user manual of the PC control software for details.

### 2. “—” Button

- It can work with the PC control software for voting/rating operations.

### 3. “0” Button

- It can work with the PC control software for voting/rating operations.

### 4. “+” Button

- It can work with the PC control software for voting/rating operations.

### 5. “++” Button

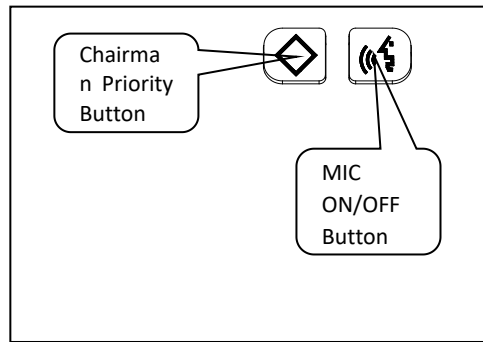
- For the chairman unit, it is used to end a voting; for the delegate unit, it has no function.
- It can work with the PC control software for rating operations.

### 6. 13.3" Capacitive Touch Screen

- Please refer to the paperless conference system service software for the displayed content.

### 7. MIC ON/OFF Button and Indicator Light

- The MIC ON/OFF button / APPLY button and the indicator light of the delegate unit. The indicator light is on when the button is pressed to turn on the microphone; the indicator light flashes when the button is pressed to apply for speaking or when the conference unit is renumbered or tracked and positioned by a camera.
- The MIC ON/OFF button, the chairman priority button and the indicator lights of the chairman unit.



- The indicator light is on when the button is pressed to turn on the microphone; the indicator light flashes when the conference unit is renumbered or tracked and positioned by a camera.
- When the chairman priority button is pressed, the unit that is speaking will be muted or turned off.

#### **8. Debug Interface**

#### **9. USB Interface**

- Files in MP3, WMA or other formats in the USB flash drive can be read.

#### **10. Headphone Jack**

- Connected with a 3.5mm connector for MP3 audio input and unit monitoring.

#### **11. Power Switch**

#### **12. RESET Button**

#### **13. Microphone Jack**

- Removable 5-pin spiral microphone jack.

#### **14. 6.86" TFT LCD Screen for Electronic Desktop Nameplate**

- The displayed content is set by the PC control software of the conference system.

#### **15. Microphone Indicator Light**

- There are two working states: red light and green light. Please refer to “3.4 Operating Instructions” below for details.

#### **16. Microphone Rod**

#### **17. 100M +48V Powered RJ45 Network Interface**

- Port transfer rate: 100Mbps.
- Powered by +48V PoE.
- Used to connect the conference host of the system or PoE switch.

#### **18. Gigabit Network Interface**

- Connect the paperless conference system server or network switch.